

FEATURES

- Plastic package has Underwriters Laboratory Flammability Classification 94V-0
- Metal silicon junction ,majority carrier conduction
- Guard ring for overvoltage protection
- Low power loss ,high efficiency
- High current capability ,low forward voltage drop
- High surge capability
- High temperature soldering guaranteed:260°C/10 seconds at terminals
- Component in accordance to RoHS 2011/65/EU



MECHANICAL DATA

- Case: JEDEC DO-201AD molded plastic body
- Terminals: Plated axial leads, solderable per MIL-STD-750,method 2026
- Polarity: color band denotes cathode end
- Mounting Position: Any
- Weight: 0.041ounce, 1.15 grams

TYPICAL APPLICATIONS

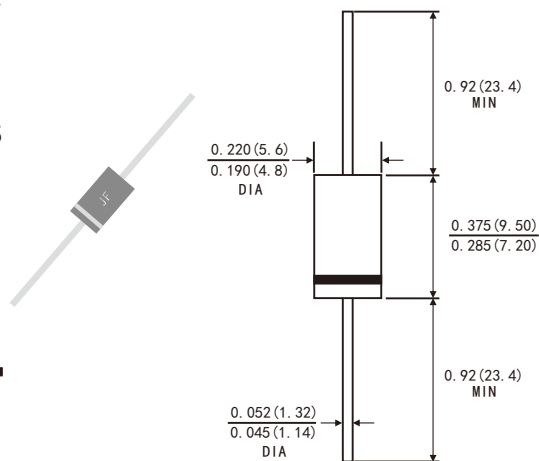
For use in low voltage ,high frequency inverters ,DC/DC converters, free wheeling ,and polarity protection applications

MAXIMUM RATINGS

(Ratings at 25°C ambient temperature unless otherwise specified)

Parameter	Symbol	SR340SL、SR345SL	Unit
Maximum repetitive peak reverse voltage	V_{RRM}	40 45	v
Maximum average forward rectified current 0.375"(9.5mm) lead length(see fig.1)	$I_{F(AV)}$	3.0	A
Peak forward surge current 8.3ms single half sine-wave superimposed on rated load (JEDEC method at rated TL)	I_{FSM}	80	A
Operating junction temperature range	T_J	-55 to+150	°C
Storage temperature range	T_{stg}	-55 to+150	°C

DO-201AD



Dimensions in inches and (millimeters)

PRIMARY CHARACTERISTICS

$I_{F(AV)}$	3.0A
V_{RRM}	40V、45V
I_{FSM}	80A
VF at $I_F=3.0A$ 125°C	0.31V
T_{JMAX}	150°C

RATINGS AND CHARACTERISTIC OF SR340SL、SR345SL

ELECTRICAL CHARACTERISTICS (T_A=25°C Unless otherwise noted)

Parameter	Test Conditions		Symbol	TYP.	MAX.	Unit
Instantaneous forward voltage	I _F =3.0A	T _A =25°C	V _F ¹⁾	0.40	0.43	V
		T _A =100°C		0.33	–	
		T _A =125°C		0.31	–	
	I _F =1.0A	T _A =25°C		0.33	–	
		T _A =100°C		0.24	–	
		T _A =125°C		0.21	–	
Reverse current	V _R =40/45V	T _A =25°C	I _R ²⁾	50	200	μA
		T _A =100°C		5	–	mA
		T _A =125°C		20	–	
Typical junction capacitance	4V, 1MHz		C _J	240		pF

Notes: 1.Pulse test: 300 μs pulse width,1% duty cycle

2.Pulse test: pulse width≤40ms

THERMAL CHARACTERISTICS

Parameter	Symbol	SR340SL、SR345SL	Unit
Typical thermal resistance ³⁾	R _{θJA}	25.0	°C/W
	R _{θJL}	8.0	

3.Thermal resistance from junction to lead vertical P.C.B. mounted , 0.375"(9.5mm)lead length

AVAILABLE PACK INFORMATION

Product code	Pack	Box Size L*W*H (mm)	Quantity (pcs/box)	Carton Size L*W*H (mm)	Quantity (box/carton)
SR340SL-DO-201AD	B/P	190*80*21	200	433*203*230	50
SR340SL-DO-201AD	T/B	264*74*135	1000	400*267*286	10
SR345SL-DO-201AD	B/P	190*80*21	200	433*203*230	50
SR345SL-DO-201AD	T/B	264*74*135	1000	400*267*286	10

RATINGS AND CHARACTERISTIC OF SR340SL、SR345SL

FIG.1-FORWARD CURRENT DERATING CURVE

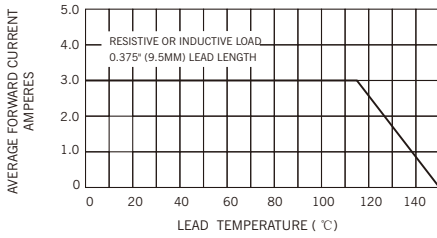


FIG.2-MAXIMUM NON-REPETITIVE PEAK FORWARD SURGE CURRENT

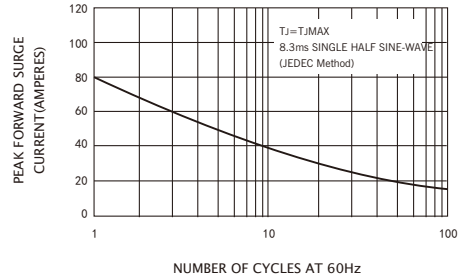


FIG.3-TYPICAL INSTANTANEOUS FORWARD CHARACTERISTICS

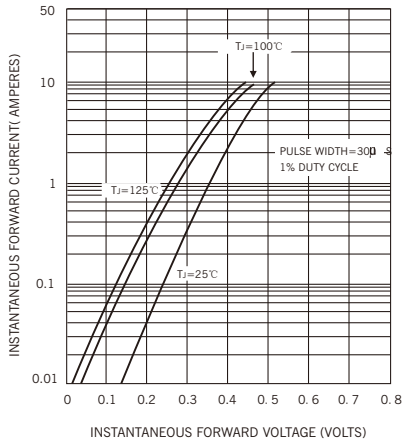


FIG.4-TYPICAL REVERSE CHARACTERISTICS

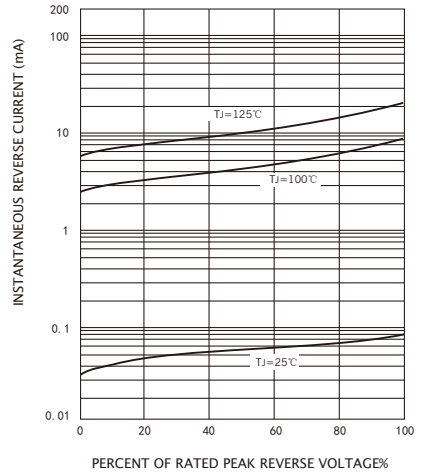


FIG.5-TYPICAL JUNCTION CAPACITANCE

