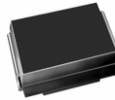
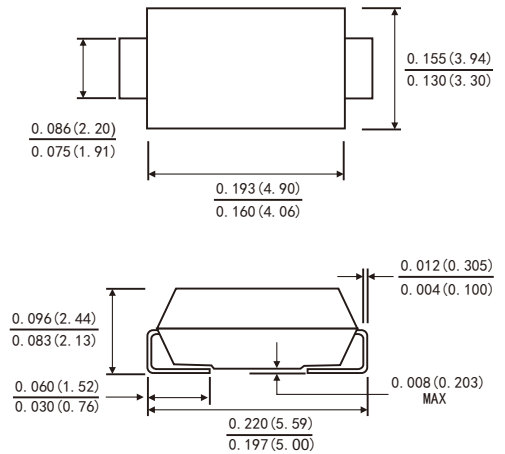


FEATURES

- Plastic package has Underwriters Laboratory Flammability Classification 94V-0
- Metal silicon junction ,majority carrier conduction
- For surface mount applications
- Low power loss ,high efficiency
- High current capability ,Low forward voltage drop
- Low profile package
- built-in strain relief ,ideal for automated placement
- For use in low voltage ,high frequency inverters, free wheeling ,and polarity protection applications
- High temperature soldering guaranteed:260°C/10 seconds at terminals
- Component in accordance to RoHS 2011/65/EU



SMB(DO-214AA)



Dimensions in inches and (millimeters)

MECHANICAL DATA

- Case: JEDEC SMB(DO-214AA) molded plastic body
- Terminals: solder plated ,solderable per MIL-STD-750,method 2026
- Polarity: color band denotes cathode end
- Weight: 0.003ounce,0.093 gram

MAXIMUM RATINGS AND ELECTRICAL CHARACTERISTICS

(Ratings at 25°C ambient temperature unless otherwise specified ,Single phase ,half wave ,resistive or inductive load. For capacitive load,derate by 20%.)

Parameters	Symbols	SS 32B	SS 33B	SS 34B	SS 36B	SS 310B	SS 315B	SS 320B	Units	
Maximum repetitive peak reverse voltage	VRRM	20	30	40	60	100	150	200	Volts	
Maximum RMS voltage	VRMS	14	21	28	42	70	105	140	Volts	
Maximum DC blocking voltage	VDC	20	30	40	60	100	150	200	Volts	
Maximum average forward rectified current (See Fig.1)	I(AV)	3.0							Amps	
Peak forward surge current 8.3ms single half sine-wave superimposed on rated load (JEDEC method)	IFSM	80.0							Amps	
Maximum instantaneous forward voltage at 3.0 A(Note 1)	VF	0.55		0.70		0.85	0.90	0.95	Volts	
Maximum instantaneous reverse current at rated DC blocking voltage(Note 1)	TA=25°C	100					20			μA
	TA=100°C	5					-			mA
	TA=125°C	-					3			
Typical junction capacitance(Note 3)	CJ	250				160				pF
Typical thermal resistance (Note 2)	RθJA RθJL	70.0 25.0								°C/W
Operating junction temperature range	TJ	-55 to +150							°C	
Storage temperature range	TSTG	-55 to +150							°C	

- Notes:
- 1.Pulse test: 300us pulse width,1% duty cycle
 - 2.P.C.B. mounted 0.55 X 0.55"(14 X 14mm)copper pad areas
 - 3.Measured at 1MHz and reverse voltage of 4.0volts

RATINGS AND CHARACTERISTIC CURVES SS32B THRU SS320B

FIG.1-FORWARD CURRENT DERATING CURVE

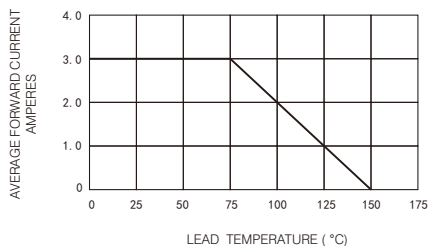


FIG.2-MAXIMUM NON-REPETITIVE PEAK FORWARD SURGE CURRENT

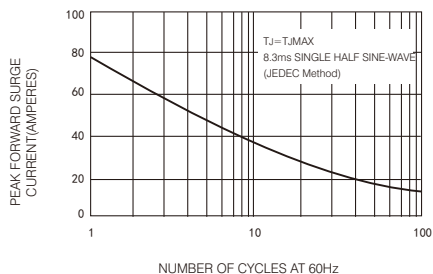


FIG.3-TYPICAL INSTANTANEOUS FORWARD CHARACTERISTICS

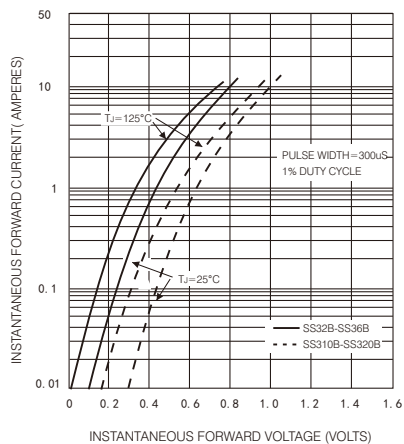


FIG.4-TYPICAL REVERSE CHARACTERISTICS

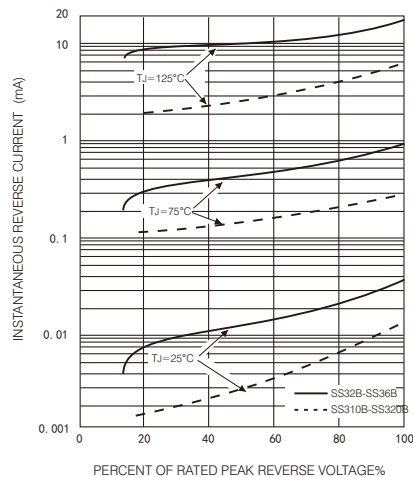


FIG.5-TYPICAL JUNCTION CAPACITANCE

