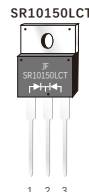


### FEATURES

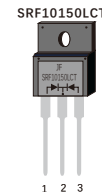
- Power pack
- Metal silicon junction ,majority carrier conduction
- Guard ring for overvoltage protection
- Low power loss ,high efficiency
- High current capability ,low forward voltage drop
- High forward surge capability
- High frequency operation
- Meets MSL Level 1, per J-STD-020,LF MAX peak of 260°C (for TO-263, TO-252 package)
- Solder bath temperature 275°C maximum, 10s, per JESD22-B106 (for TO-220AB and ITO-220AB package)
- Component in accordance to RoHS 2015/863/EU



TO-220AB



ITO-220AB



TO-252  
SR10150LM1



TO-263  
SR10150LD1



### MECHANICAL DATA

- Case: JEDEC TO-220AB, ITO-220AB, TO-263, TO-252
- Molding compound meets UL94V-0 flammability rating
- Terminals: Lead solderable per J-STD-002 and JESD22-B102
- Polarity: As marked
- Mounting Torque: 10 in-lbs maximum

### TYPICAL APPLICATIONS

For use in low voltage ,high frequency inverters ,DC/DC converters,free wheeling ,and polarity protection applications

### MAXIMUM RATINGS

(Ratings at 25°C ambient temperature unless otherwise specified )

Parameters	Symbol	Value	Unit
Rated repetitive peak reverse voltage	$V_{RRM}$	150	V
Maximum average forward rectified current,D=0.5, Square waveform, $T_c \leq 137^\circ\text{C}$ for TO-220AB and TO-263, TO-252, $T_c \leq 125^\circ\text{C}$ for ITO-220AB (see Fig.1)	Per leg	5.0	A
	Total device	10.0	
Peak forward surge current 8.3ms single half sine-wave superimposed on rated load (JEDEC method at rated $T_L$ ,Total device)	$I_{FSM}$	180	A
Peak repetitive reverse current per diode at $t_p = 2 \mu s$ 1KHz	$I_{RRM}$	0.5	A
Operating junction and Storage temperature range	$T_J, T_{stg}$	-55 to+150	°C
Isolation voltage (ITO-220AB only) from terminals to heatsink $t = 1 \text{ min}$	$V_{AC}$	1500	V

PRIMARY CHARACTERISTICS	
$I_{F(AV)}$	2×5A
$V_{RRM}$	150V
$I_{FSM}$	180A
$V_f$ at $I_f=5.0A(125^\circ\text{C})$	0.64V
$I_r$	0.1μA
$T_J(\text{MAX})$	150°C
Package	TO-220AB, ITO-220AB, TO-263, TO-252
Diode variations	Common cathode

## ELECTRICAL CHARACTERISTICS (Per leg, $T_A=25^\circ\text{C}$ Unless otherwise noted)

Parameter	Test Conditions		Symbol	Typ.	Max.	Unit
Instantaneous forward voltage	$I_F=5.0\text{A}$	$T_A=25^\circ\text{C}$	$V_F$ <sup>1)</sup>	0.78	0.80	V
		$T_A=100^\circ\text{C}$		0.68	-	
		$T_A=125^\circ\text{C}$		0.64	-	
	$I_F=3.0\text{A}$	$T_A=25^\circ\text{C}$		0.74	-	
		$T_A=100^\circ\text{C}$		0.64	-	
		$T_A=125^\circ\text{C}$		0.59	-	
Reverse current	$V_R=150\text{V}$	$T_A=25^\circ\text{C}$	$I_R$ <sup>2)</sup>	-	5	$\mu\text{A}$
		$T_A=100^\circ\text{C}$		-	0.5	mA
		$T_A=125^\circ\text{C}$		-	1.5	
Typical junction capacitance	4V,1MHz		$C_J$	150		pF

Notes: 1.Pulse test: 300  $\mu\text{s}$  pulse width,1% duty cycle

2.Pulse test: pulse width  $\leq 40\text{ms}$

## THERMAL CHARACTERISTICS

Parameter	Symbol	SR10150LCT	SRF10150LCT	SR10150LD1	SR10150LM1	Unit
Typical thermal resistance <sup>3)</sup>	$R_{\theta jc}$	2.0	4.0	2.0	2.0	$^\circ\text{C}/\text{W}$

3.Thermal resistance from junction to case,Total device

## AVAILABLE PACK INFORMATION

Product code	Pack	Carton Size L×W×H(mm)	Inner Box Size L×W×H(mm)	Tube Length (mm)	Inner Box Number	Tube Number Per A Inner Box	Part Number Per A Tube	Quantity(carton) (K)
SR10150LCT-TO-220AB	Tube	565×225×170	548×151×37	540	5	20	50	5
SRF10150LCT-ITO-220AB	Tube	565×225×170	548×151×37	540	5	20	50	5
SR10150LD1-TO-263	Tube	565×225×170	548×151×37	538	5	20	50	5
SR10150LM1-TO-252	Tube	565×225×170	548×151×37	520	5	60	75	22.5
Product code	Pack	Carton Size L×W×H(mm)	Inner Box Size L×W×H(mm)	Reel Diameter (mm)	Inner Box Number	Reel Number Per A Inner Box	Part Number Per A Reel	Quantity(carton) (K)
SR10150LD1-TO-263	Reel	364×364×235	330×330×38	$\phi 330$	5	1	800	4
SR10150LM1-TO-252	Reel	364×364×235	346×346×23	$\phi 330$	8	1	2500	20

FIG.1-FORWARD CURRENT DERATING CURVE

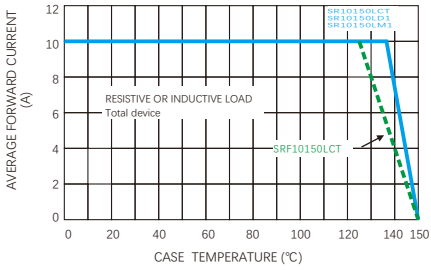


FIG.2-MAXIMUM NON-REPETITIVE PEAK FORWARD SURGE CURRENT

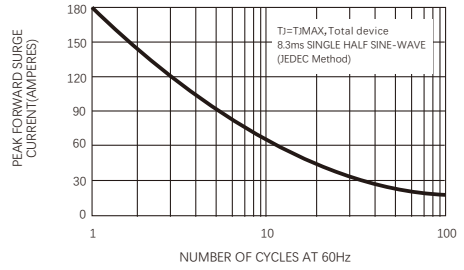


FIG.3-TYPICAL INSTANTANEOUS FORWARD CHARACTERISTICS

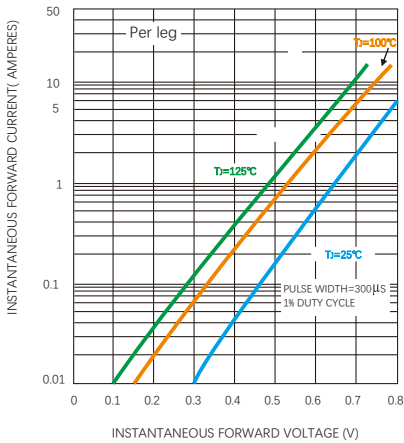


FIG.4-TYPICAL REVERSE CHARACTERISTICS

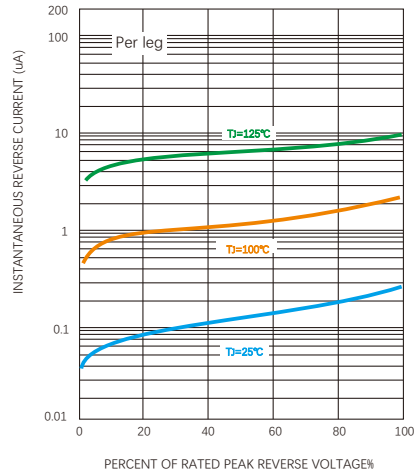
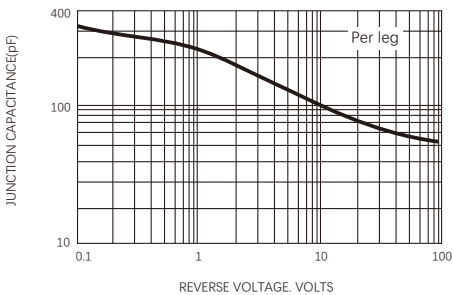
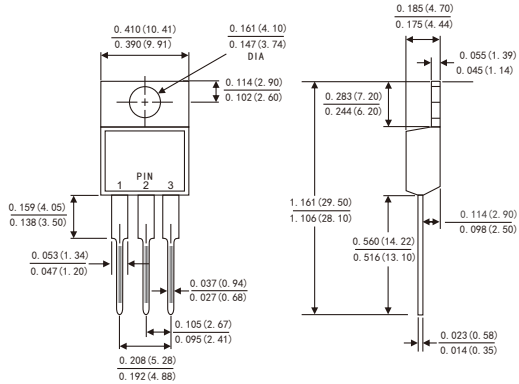


FIG.5-TYPICAL JUNCTION CAPACITANCE

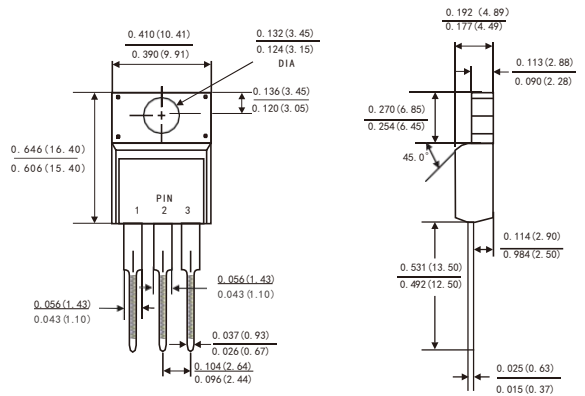


Dimensions in inches and (millimeters)

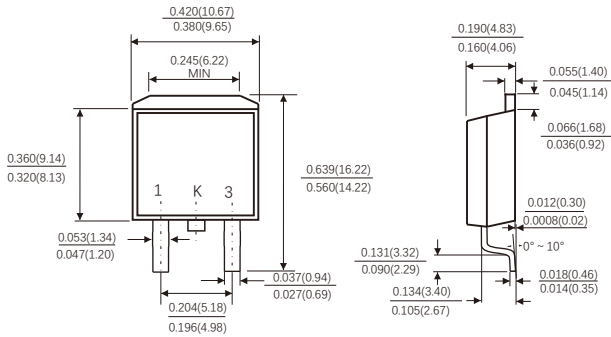
## TO-220AB



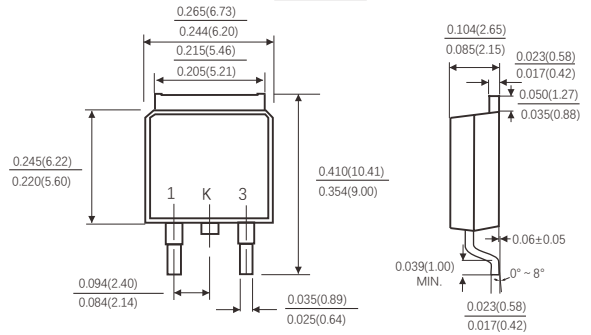
## ITO-220AB



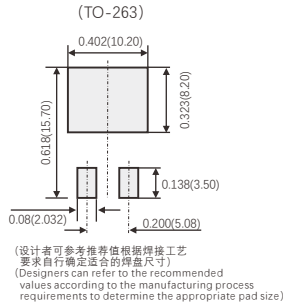
## TO-263



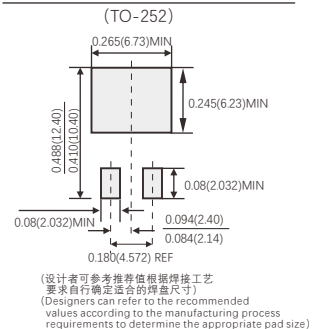
## TO-252



## Suggested Pad Layout



## Suggested Pad Layout



## Friendship Reminder

- JiNan JingHeng hereinafter referred to as JH reserves the right to make changes to this document and its products and specifications at anytime without notice.
- Customers should obtain and confirm the latest product information and specifications before final design, purchase or use.
- JH makes no warranty, representation or guarantee regarding the suitability of its products for any particular purpose, nor does JH assume any liability for application assistance or customer product design.
- JH does not warrant or accept any liability with products which are purchased or used for any unintended or unauthorized application.
- No license is granted by implication or otherwise under any intellectual property rights of JH.
- JH's products are not authorized for use as critical components in life support devices or systems without express written approval of JH.